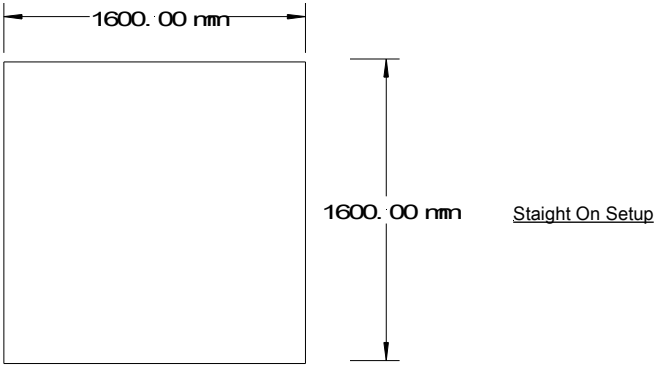
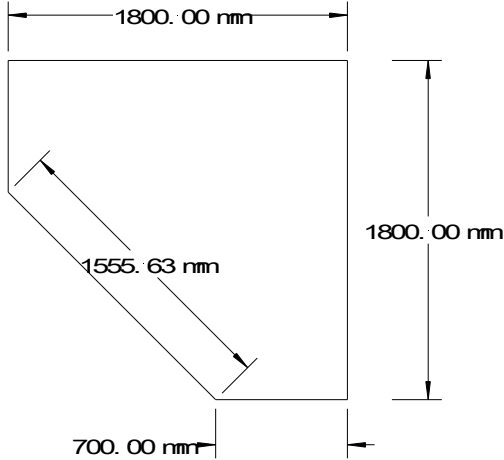


Z1200 Uprand Specs

Corner Setup



Both upstand require an 80mm reinforced concrete top.
It is VERY important that the top is level and flat.